



by  
**JH INDUSTRIES, INC.**



# Steel Face Bumper Guard



for

## Copperloy 2-Hole EOD Bumpers

*Our new Steel Face Bumper Guard offers the protection of a steel face bumper, at a fraction of the cost.*

Manufactured from 5/8" thick steel bar, the steel face bumper guard can easily be retro-fit to any existing JH Industries 2-Hole bumper design.

The Steel Face Bumper Guard deflects and absorbs the shock of the backing trailer and eliminates bumper wear or "chunking" from friction caused by the up and down movement during loading and unloading. **By eliminating bumper wear, damage to the building, dock seals and edge of dock levelers can be avoided.**

Ideal for loading docks which encounter Air-Ride trailers, spotted trailers or excessive daily volumes of traffic, the new Steel Face Bumper Guards will save companies time and money by eliminating the need for frequent bumper and edge of dock replacement.

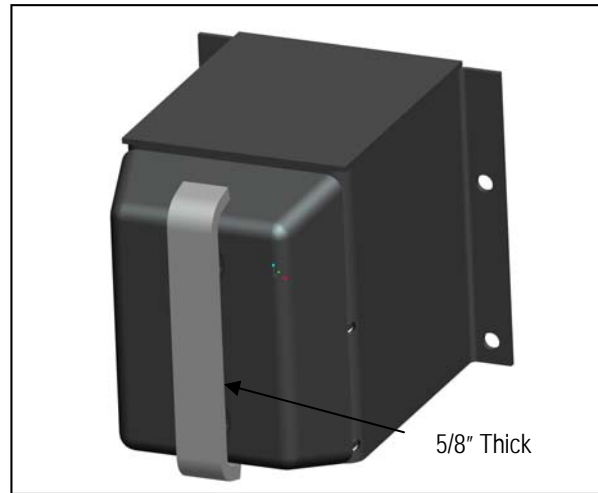
### Specifications:

Dimensions: 13" (h) x 2" (w) x 5/8" thick

Weight: 6 Lbs. Each

Includes: All required hardware.

Model Number: SEL-01-00109



**Steel Face Bumper Guard**

Contact your local Copperloy dealer for pricing and availability.

