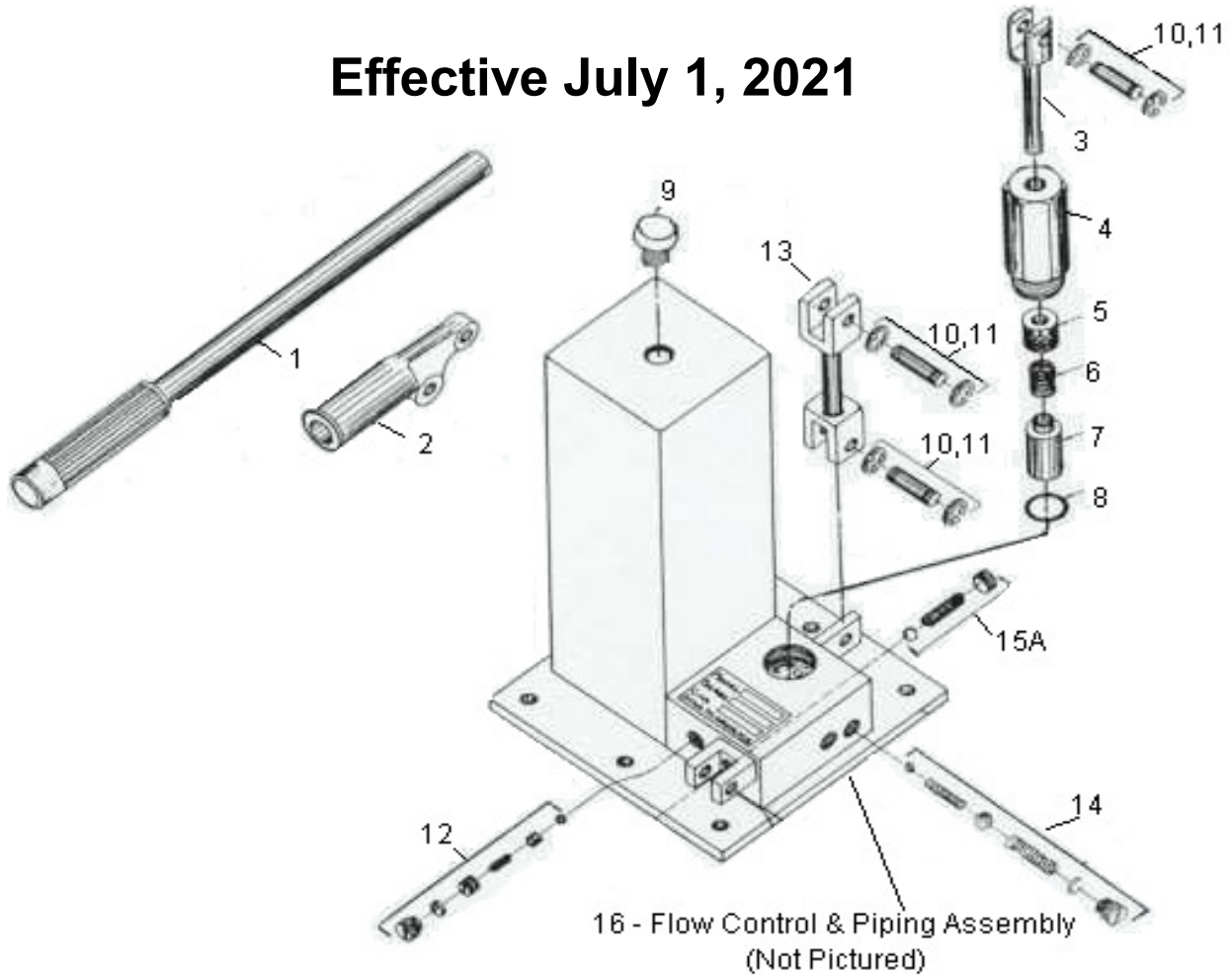


STAR PUMP PARTS LIST AND PRICING

Effective July 1, 2021



Item	QTY.	DESCRIPTION	PART NO.	LIST PRICE
1	1	Pump Complete (w/o Handle Assy.)	024-038	\$ 2,160.00
2	1	Pump Handle	024-057	\$ 120.00
3	1	Handle Socket	024-040	Consult Factory
4	1	Pump Piston	024-053	Consult Factory
* 5	1	Pump Barrel	024-041	Consult Factory
* 6	1	Piston Packing		
7	1	Piston Sleeve		
* 8	1	Barrel "O" Ring		
9	1	Fill Plug w/ Breather		
10	3	Pivot Pin		
* 11	6	Snap Rings		
12	1	Pressure Relief Valve Assy.	024-043	Consult Factory
13	1	Pump Link	024-044	Consult Factory
* 14	1	Check Valve Assy.		Consult Factory
15A	1	Release Valve Assy. Knob Handle	024-052	Consult Factory
16	1	Flow Control & Piping Assy.	024-046	Consult Factory
*		REPAIR KIT	024-047	\$ 258.00